

Good Neighbor

OUTDOOR LIGHTING

PRESENTED BY THE NEW ENGLAND LIGHT POLLUTION ADVISORY GROUP (NELPAG) AND SKY & TELESCOPE.

What is good lighting?

Good outdoor lights improve visibility, safety, and a sense of security, while minimizing energy use, operating costs, and ugly, dazzling glare.

Why should we be concerned?

Many outdoor lights are poorly designed or improperly aimed. Such lights are costly, wasteful, and distractingly glary. They harm the nighttime environment and neighbors' property values. Light directed uselessly above the horizon creates murky skyglow — the "light pollution" that washes out our view of the stars.

Glare Here's the basic rule of thumb: If you can see the bright bulb from a distance, it's a bad light. With a good light, you see lit ground instead of the dazzling bulb. "Glare" is light that beams directly from a bulb into your eye. It hampers the vision of pedestrians, cyclists, and drivers.

Light Trespass Poor outdoor lighting shines onto neighbors' properties and into bedroom windows, reducing privacy, hindering sleep, and giving the area an unattractive, trashy look.

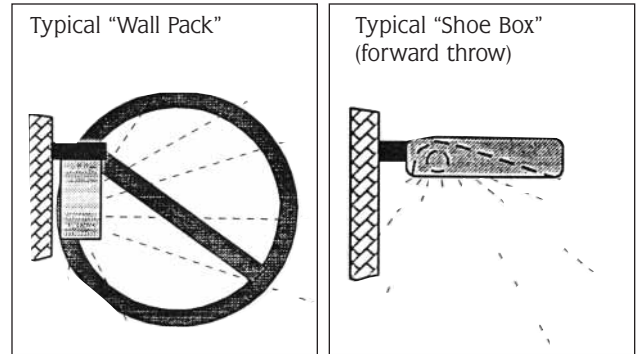
Energy Waste Many outdoor lights waste energy by spilling much of their light where it is not needed, such as up into the sky. This waste results in high operating costs. Each year we waste more than a billion dollars in the United States needlessly lighting the night sky.

Excess Lighting Some homes and businesses are flooded with much stronger light than is necessary for safety or security.

How do I switch to good lighting?

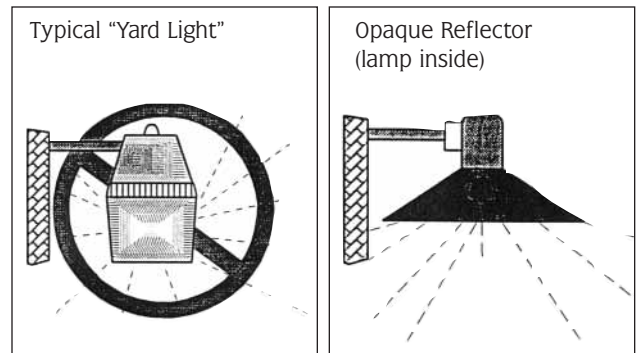
1 Provide only enough light for the task at hand; don't over-light, and don't spill light off your property. Specifying enough light for a job is sometimes hard to do on paper. Remember that a full Moon can make an area quite bright. Some lighting systems illuminate

Some Good and Bad Light Fixtures



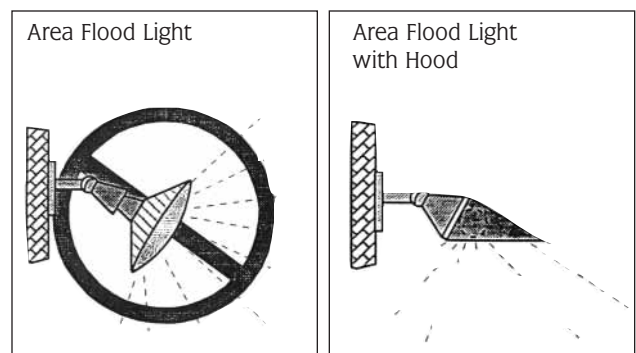
BAD **GOOD**

Waste light goes up and sideways Directs all light down



BAD **GOOD**

Waste light goes up and sideways Directs all light down



BAD **GOOD**

Waste light goes up and sideways Directs all light down

